

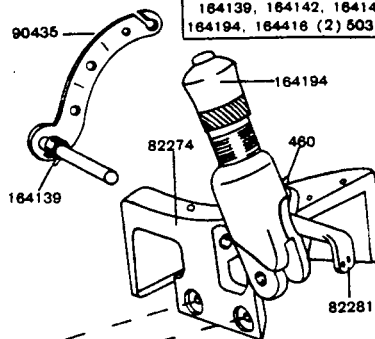
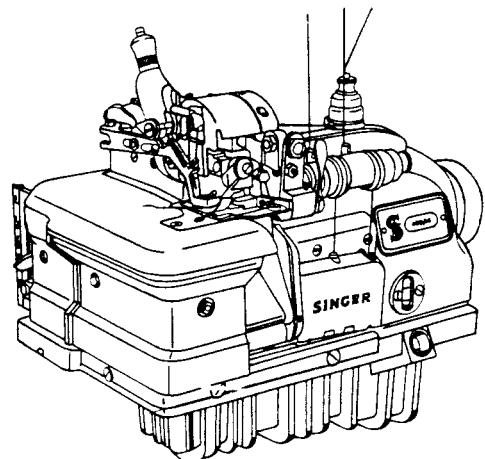
MACHINE PARTS CHART
for
SINGER*
460/16

From the library of: Diamond Needle Corp

SINGER 460/16

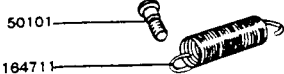
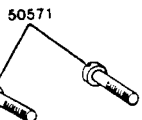
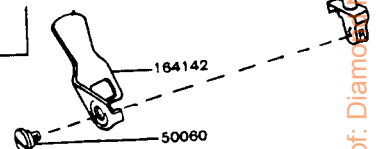
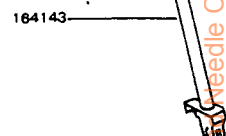
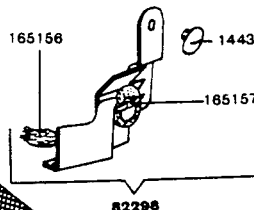
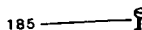
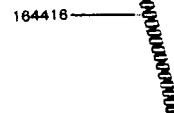
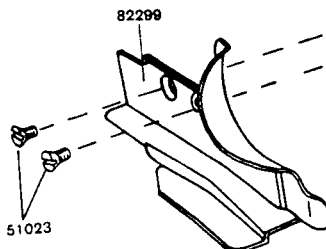
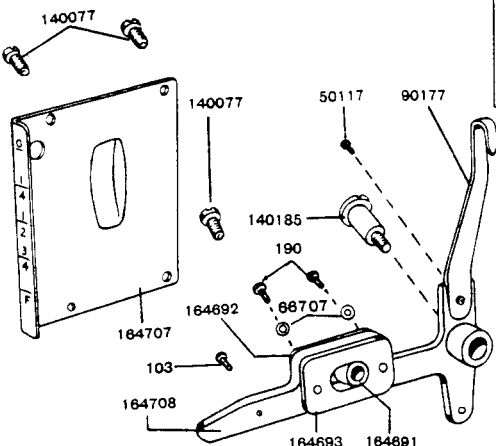
82277

50060, 82259, 82274, 82281,
90435, 93929, 164137,
164139, 164142, 164143,
164194, 164418 (2) 50318



164856

164091
164892
164893
164708
(2) 190
(2) 66707



1637

109898

140395

140396

164077

81376

164137

462

51848

624

1423

140788

164728

164744

3148

140788

165063

50611

164745

742

165062

164104

164105

624

1250

829

164401

227

164520

165055

164043

164042

175032

140088

853

81434

624

164106

165149

164207

187

164590

39541

190

1454

165150

164705-002

164704-002, 164023

81388

629

1423

81202

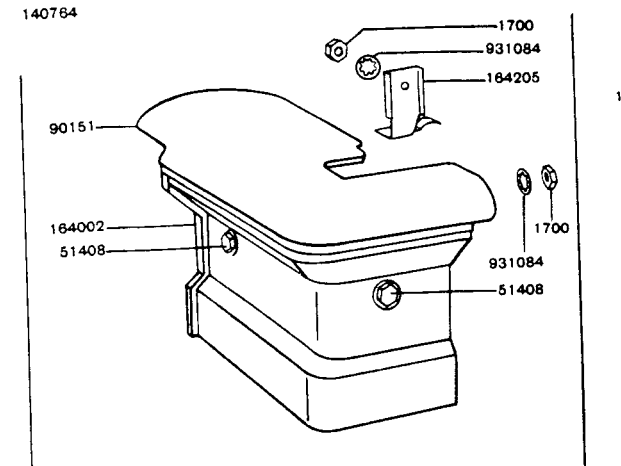
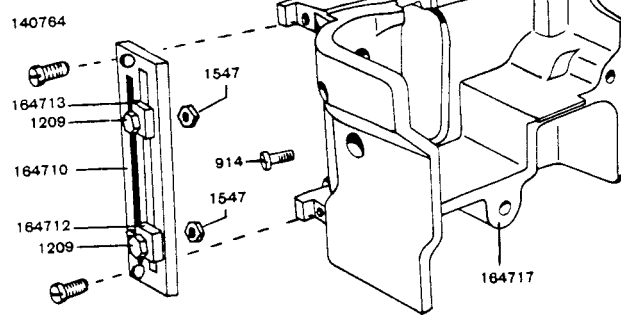
81376

164401

164520

164705-002

(2) 227

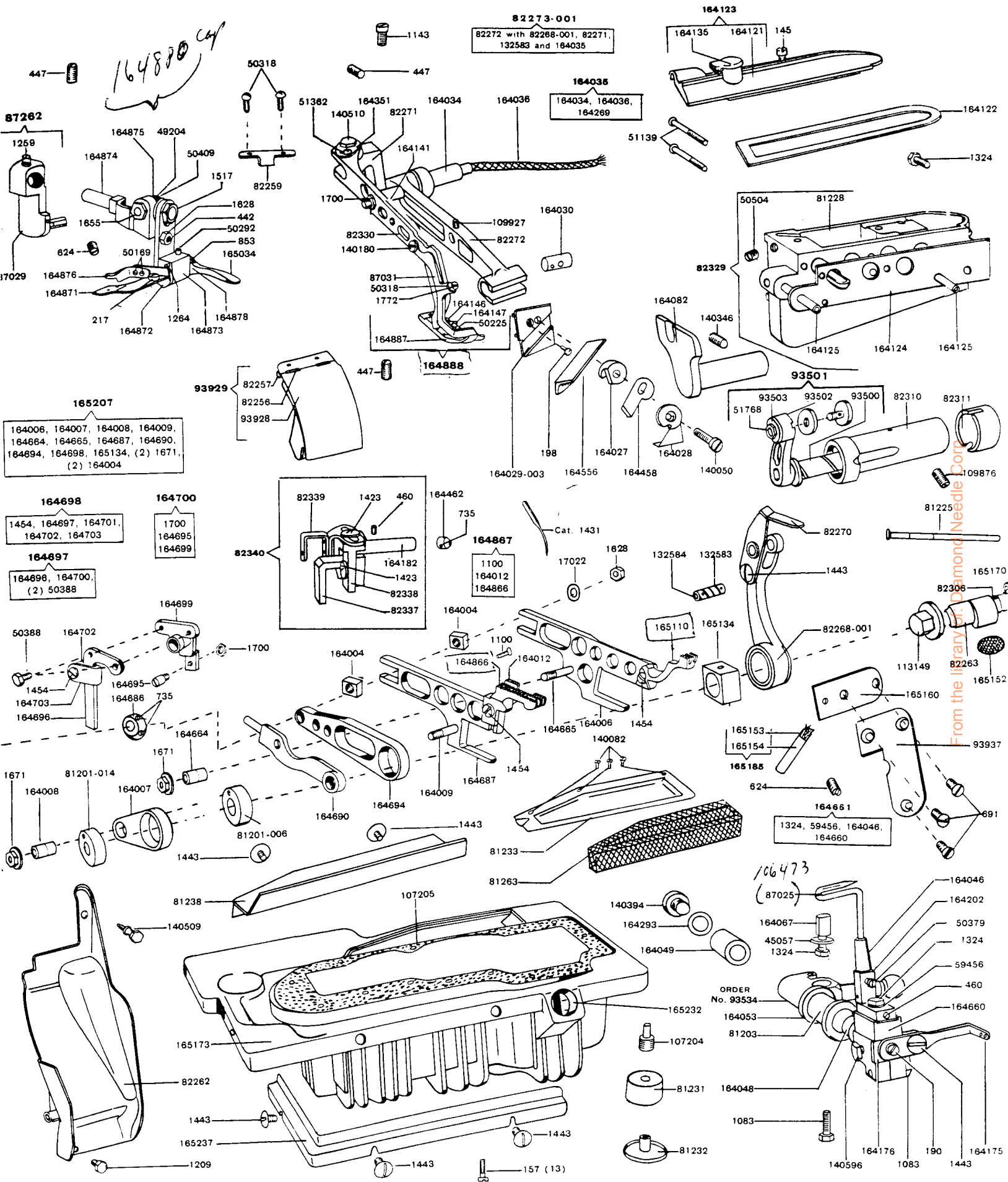


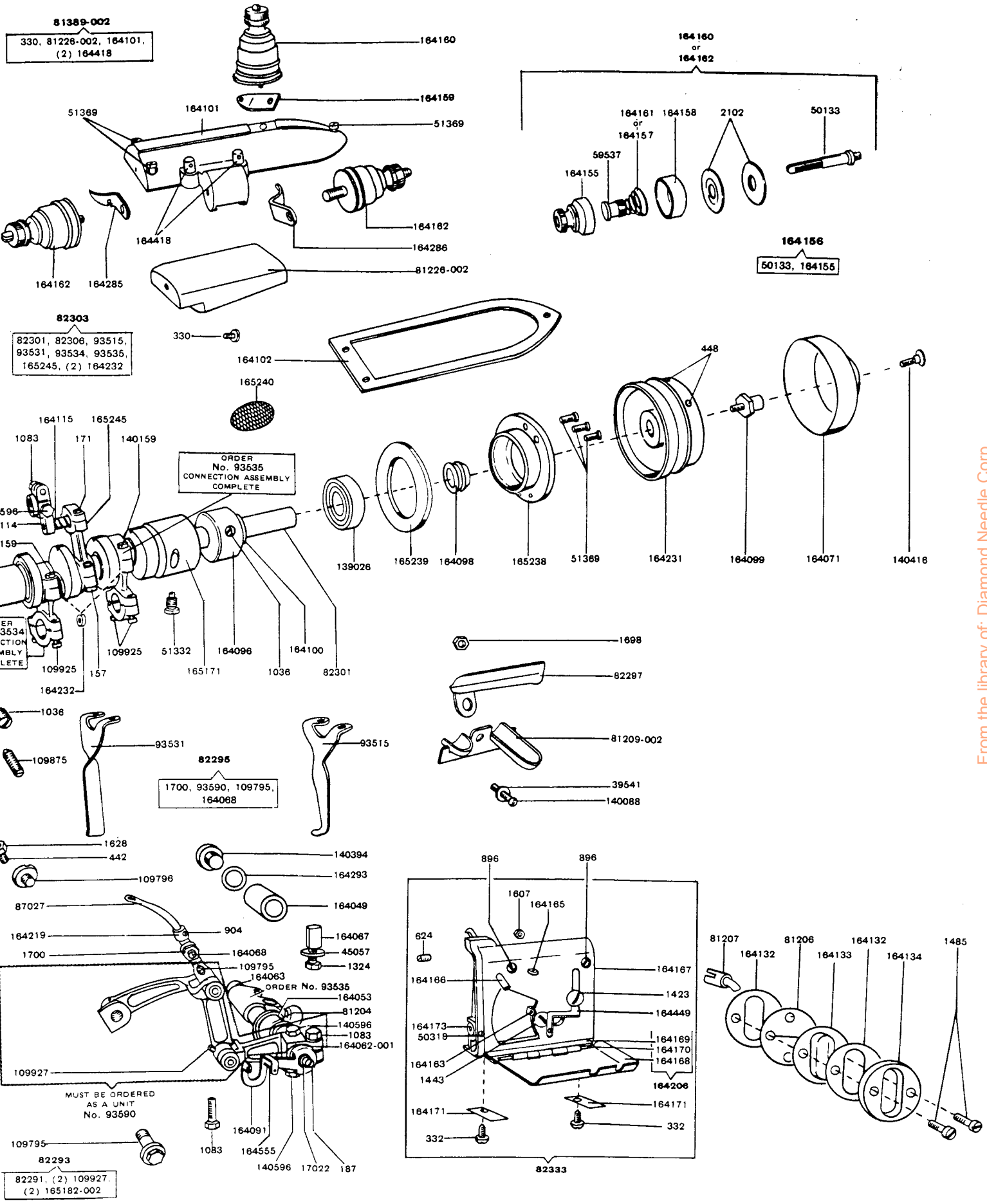
90152

164705-002

164704-002, 164023

From the factory of: Diamond Needle Corp





From the library of: Diamond Needle Corp

LIST OF PARTS FOR 460/16 MACHINE

<u>Part No.</u>	<u>Description</u>	<u>Part No.</u>	<u>Description</u>
103(819)	Gathering Device Lever and Indicator Chain Screw.	1324(809)	Oil Cooler Screw (short).
145(809)	Oil Cooler Cover Screw.	1389(830)	Feed Bar Hinge Pin Set Screw.
157(803)	Feed Eccentric Cover Bracket Screw.	1423(819)	Feed Eccentric Cover Bracket Oil Cover Screw.
157(803)	Oil Reservoir Screw.	1423	Knife (movable) Lever Guide and Needle Thread Bridge Bracket Screw.
157(830)	Needle Driving Shaft Crank Connection Cap (lower) Screw.	1423	Knife (movable) Lever Guide and Needle Thread Bridge Eyelet Screw.
171(830)	Needle Driving Shaft Crank Connection Cap (upper) Screw.	1423(809)	Thread (looper, right hand) Thread Eyelet Screw.
185(809)	Machine Frame Bracket Oil Screen Screw.	1443(809)	Machine Frame Oil Splash Guard (internal) Screw (top).
187(805)	Machine Frame Bracket Key Screw.	1443(809)	Thread (looper, right hand) Stripper and Take-up Eyelet (adjustable) Screw.
187(805)	Thread (looper, right hand) Stripper and Take-up Screw.	1443(809)	Thread (looper) Take-up Screw (upper).
190(805)	Knife (stationary) and Needle Guard Holder Adjusting Stud Cap Screw.	1443(809)	Thread (needle) Controller Screw.
190(805)	Thread (looper) Take-up Screw (lower).	1443(819)	Oil Reservoir Lint Guard (back) Clamping Screw.
190(819)	Feed (front) Dog Controlling Lever Ball Joint Position Screw.	1443(819)	Oil Reservoir Lint Guard (front) Clamping Screw.
198(809)	Knife (movable) Holder Screw.	1454(805)	Throat Plate Guide Screw.
206(809)	Machine Frame Oil Splash Guard (Internal) Screw (bottom).	1454(806)	Feed (back) Dog Screw.
217(809)	Gathering Plate (swing-up) Screw.	1454(806)	Feed (front) Dog Controlling Lever Segment Guide Adjusting Cam Roller Screw.
227(809)	Feed Eccentric Cover Latch Spring Screw.	1485(809)	Feed (front) Dog Screw.
330(809)	Machine Frame Top Cover Oil Lead Screw.	1517(809)	Machine Frame Oil Drip Sight Gauge Window Gasket Retainer Screw.
332(809)	Thread (looper) Plate Cover Spring Screw.	1547(819)	Gathering Plate (swing-up) Holder Housing Nut.
442(830)	Gathering Plate (swing-up) Holder Housing Stop Screw.	1547(819)	Gathering Device Lever and Indicator Stop (lower) Screw Nut.
442(830)	Looper (right hand) Carrier Connecting Link Adjusting Screw (front) Stop Screw.	1547(819)	Gathering Device Lever and Indicator Stop (upper) Screw Nut.
447(830)	Knife (movable) Lever Bearing Set Screw (long).	1607(809)	Thread (looper, right hand) Thread Eyelet (stationary) Nut.
447(830)	Knife (movable) Lever Guide Holder Thread Tube Set Screw (machine frame end).	1628(803)	Feed Bar Slide Block (back) Nut.
447(830)	Knife (movable) Lever Hinge Stud Set Screw (back).	1628(809)	Looper (right hand) Carrier Connecting Link Adjusting Screw (front) Stop Screw Nut.
448(830)	Machine Pulley Set Screw.	1628(809)	Gathering Plate (swing-up) Holder Housing Stop Screw Nut.
460(830)	Gathering Plate (swing-up) Holder Housing Support Set Screw.	1637(810)	Presser Bar Lifting Lever Stop Screw Nut.
460(830)	Looper (left hand) Carrier Screw Set Screw.	1655(809)	Gathering Plate (swing-up) Holder Housing Support Hinge Screw Nut.
460	Knife (movable) Lever Guide Thread Tube Set Screw.	1671(803)	Feed (back) Bar Connection Hinge Screw Stud Nut.
460(830)	Thread Eyelet (needle thread) Set Screw.	1671(803)	Feed (front) Dog Controlling Lever Connection Hinge Screw Stud Nut.
462(830)	Presser Bar Lifting Bracket Set Screw (short).	1698(809)	Machine Frame Oil Lead Screw Nut.
624(830)	Cloth Plate Plunger Set Screw.	1700(809)	Cloth Plate Extension Screw Nut.
624(830)	Cloth Plate Position Collar Set Screw.	1700(809)	Cloth Plate Lock Spring Nut.
624(830)	Knife (movable) Lever Bearing Set Screw (short).	1700(809)	Cloth Plate Position Screw Nut.
624(830)	Machine Frame Oil Tube Set Screw.	1700(809)	Looper (right hand) Locking Screw Stud Nut.
624(830)	Presser Bar Lifting Bracket Set Screw (long).	1700(809)	Presser Bar (swing-out) Lifting Screw Stud Nut.
624(830)	Thread (Looper, right hand) Tube Set Screw.	1700(819)	Feed (front) Dog Controlling Lever Connection Stud Nut.
629(810)	Feed Eccentric Cover Hinge Screw.	1772(809)	Gathering Plate (swing-up) Lifter Adjusting Screw Nut.
691(803)	Machine Frame Wearing Plate Screw.	2102	Tension (heavy) Disc.
735(830)	Feed Bar Hinge Pin Collar Set Screw.	2102	Tension (light) Disc.
742(806)	Knife (stationary) and Needle Guard Holder Screw.	3146	Knife (stationary) Clamping Gib Screw Washer.
853(830)	Gathering Plate (swing-up) Lifting Lever Set Screw.	17022	Feed Bar Slide Block (back) Nut Washer.
853(830)	Looper (left hand) Thread Tube Set Screw.	17022	Thread (looper, right hand) Stripper and Take-up Screw Washer.
896(830)	Thread (looper) Plate Screw.	39541	Knife (stationary) and Needle Guard Holder Adjusting Stud Cap Screw Washer.
904(830)	Looper (right hand) Position Collar Set Screw.	39541	Machine Frame Oil Lead Screw Washer.
914(809)	Machine Frame Cover (back) Screw (short).	45057	Looper (left hand) Driving Shaft Crank Key Screw Washer.
1036(830)	Machine Frame Rotary Shaft Bushing (front) Set Screw.	45057	Looper (right hand) Driving Shaft Crank Key Screw Washer.
1036(830)	Machine Frame Rotary Shaft Counterbalance Set Screw.	49204	Gathering Plate (swing-up) Holder Housing Support Hinge Screw Friction Washer.
1083(803)	Looper (left hand) Carrier Holder Clamping Screw.	50060(810)	Presser Bar (swing-out) Opening Lever Hinge Screw.
1083(803)	Looper (left hand) Driving Shaft Crank Clamping Screw.	50073(809)	Knife (movable) Lever Cover and Presser Bar (upright) Housing Screw.
1083(803)	Looper (right hand) Driving Lever Clamping Screw.	50101(819)	Gathering Device Lever and Indicator Spring Screw.
1083(803)	Looper (right hand) Driving Shaft Crank Clamping Screw.	50113(819)	Gathering Device Lever and Indicator Extension Stop Screw (not illustrated).
1083(803)	Needle Driving Shaft Crank Clamping Screw.	50117(830)	Gathering Device Lever and Indicator Extension Screw.
1094(806)	Throat Plate Screw.	50133(803)	Tension (heavy) Screw Stud.
1100(830)	Feed (back) Dog Section (right) Screw.	50133(803)	Tension (light) Screw Stud.
1143(830)	Knife (movable) Lever Hinge Stud Set Screw (top).	50169(803)	Gathering Plate (swing-up) Lifter Screw.
1209(809)	Chip Guard Screw (lower).	50225(809)	Needle Guard Screw.
1209(819)	Gathering Device Lever and Indicator Stop (lower) Screw.	50225(809)	Presser Foot Clamping Plate Screw.
1209(819)	Gathering Device Lever and Indicator Stop (upper) Screw.	50292(803)	Gathering Plate (swing-up) Tension Spring Pressure Adjusting Head Set Screw.
1250(830)	Cloth Plate Lock Spring Screw Stud.	50318(809)	Gathering Plate (swing-up) Lifter Adjusting Screw.
1259	Knife (movable) Lever Bearing and Attachment Bracket Screw.	50318(809)	Knife (movable) Hinged Cover Screw.
1264(803)	Gathering Plate (swing-up) Holder Stop Screw.	50318(818)	Thread (looper) Plate Thread Bushing Screw.
1324(803)	Looper (left hand) Carrier Screw.	50379(806)	Looper (left hand) Set Screw.
1324(803)	Looper (left hand) Driving Shaft Crank Key Screw.	50388(830)	Feed (front) Dog Controlling Lever Segment Screw.
1324(803)	Looper (right hand) Driving Shaft Crank Key Screw.	50409(803)	Gathering Plate (swing-up) Holder Housing Support Hinge Screw.

LIST OF PARTS FOR 460/16 MACHINE

Part No.	Description	Part No.	Description
50504(830)	Oil Cooler Plug Screw.	82335-001	Throat Plate.
50571(809)	Machine Frame Cover (back) Screw (long).	82337	Knife (movable) Lever Guide.
50611(803)	Knife (stationary) and Needle Guard Holder Position Screw.	82338	Knife (movable) Lever Guide and Needle Thread Bridge Bracket.
51023(818)	Machine Frame Oil Splash Guard (top) Screw.	82339	Knife (movable) Lever Guide and Needle Thread Eyelet.
51139(809)	Oil Cooler Screw (long).	82340	Knife (movable) Lever Guide 82337 with 460, 82338, 82339, 164182 and two 1423.
51332(803)	Machine Frame Rotary Shaft Bushing (intermediate) Set Screw.	87025	Looper (left hand).
51362(830)	Presser Bar (swing-out) Pivot Screw	87027	Looper (right hand).
51369(803)	Machine Frame Rotary Shaft Ball Bearing Housing Screw.	87029	Knife (movable) Lever Bearing and Attachment Bracket.
51369(809)	Machine Frame Top Cover Screw.	87031	Gathering Plate (swing-up) Lifter Lever (adjustable) with 1772(809) and 50318(809).
51408(830)	Cloth Plate Extension Screw.	87032	Gathering Plate (swing-up) with Holder, Holder Housing and Housing Support complete (not illustrated).
51408(830)	Cloth Plate Position Screw.	87262	Knife (movable) Lever Bearing and Attachment Bracket 87029 with 1259.
51768(803)	Needle Clamping Nut.	90151	Cloth Plate.
51846	Presser Bar Lifting Bracket Roller and Stud.	90152	Cloth Plate with Extension Complete, Nos.90151, 164002, 164205, two 931084, three 1700(809) and 51408(830).
59456	Looper (left hand) Carrier Screw Washer.	90177	Gathering Device Lever and Indicator Extension.
59537	Tension (heavy) Spring Bushing.	90178	Machine Frame Cover (back) 164718-002 with 103(819), 50101(819), 50117(830), 90177, 140185(819), 164710, 164711, 164712, 164713, 164856, two each 1209(819), 1547(819) and 140764(819) (not illustrated).
59537	Tension (light) Spring Bushing.	90435	Presser Bar Lifting Lever.
66707	Feed (front) Dog Controlling Lever Ball Joint Position Screw Washer.	93500	Needle Driving Shaft with 93505.
81201-006	Feed (front) Eccentric (6 stitches to the inch).	93501	Needle Driving Shaft 93500 with 51768(803), 93502 and 93503.
81201-014	Feed (back) Eccentric (14 stitches to the inch.)	93502	Needle Holder Washer.
81202	Feed Eccentric Cover Bracket Oil Cover.	93503	Needle Holder.
81203	Looper (left hand) Driving Shaft Bushing (front).	93505	Needle Stop Pin (not illustrated).
81204	Looper (right hand) Driving Shaft Bushing (front).	93515	Oil Agitator (right hand).
81206	Machine Frame Oil Drip Sight Gauge.	93531	Oil Agitator (left hand).
81207	Machine Frame Oil Drip Sight Gauge Tube and Support.	93534	Looper (Left Hand) Driving Shaft Crank Connection with two each 109925(830) and 140159(830).
81209-002	Machine Frame Oil Lead Tube Support complete.	93535	Looper (Right Hand) Driving Shaft Crank Connection with two each 109925(830) and 140159(830).
81225	Machine Frame Rotary Shaft Oil Metering Pin (internal).	93590	Looper (right hand) Four-Bar Linkage Mechanism.
81226-002	Machine Frame Top Cover Oil Lead.	93928	Knife (movable) Hinged Cover.
81228	Oil Cooler.	93929	Knife (movable) Hinged Cover 93928 with 82256 and 82257.
81231	Machine Cushion (large).	93937	Machine Frame Wearing Plate.
81232	Machine Mounting Post.	107204	Oil Reservoir Drain Plug (magnetic).
81233	Oil Reservoir Sump Screen Cover.	107205	Oil Reservoir Gasket.
81238	Oil Reservoir Lint Guard (back).	109795(803)	Looper (right hand) Carrier Connecting Link Adjusting Screw (front).
81263	Oil Reservoir Sump Screen.	109796(803)	Looper (right hand) Carrier Connecting Link Adjusting Sleeve Cap Screw (back).
81376	Feed Eccentric Cover Bracket Splash Guard.	109875	Machine Frame Rotary Shaft Bushing (front) By-Pass Oil Control Screw.
81388	Feed Eccentric Cover complete, for use with eccentrics of 4 stitches and above, Nos.629(810), 1423(819), 81202, 81376, 164401, 164520, 164705-002 and two 227(809).	109876	Needle Driving Shaft Bushing Locating Screw.
81389-002	Machine Frame Top Cover 164101 with 330(809) 81226-002 and two 164418.	109898	Presser Bar Lifting Lever Stop Screw.
81434	Throat Plate Guide with 853(830).	109925(830)	Looper (left hand) Driving Shaft Crank Connection Cap (lower) Screw.
82256	Knife (movable) Hinged Cover Hinge.	109927(869)	Looper (right hand) Driving Shaft Crank Connection Cap (lower) Screw.
82257	Knife (movable) Hinged Cover Pin.	109927(869)	Knife (movable) Lever Hinge Pin Set Screw.
82259	Knife (movable) Hinged Cover Spring.	109927(869)	Looper (right hand) Carrier Hinge Pin Set Screw.
82262	Chip Guard.	109935(830)	Looper (right hand) Carrier Connecting Link Hinge Pin Set Screw.
82263	Feed Lifting and Knife (movable) Eccentric.	113149	Lint Stripper Screw.
82268-001	Thread (needle) Controller Lever.	132583	Machine Frame Rotary Shaft Nut.
82270	Thread (needle) Controller.	132583	Knife (movable) Lever Hinge Pin with 132584.
82271	Presser Bar Bracket.	132584	Knife (movable) Lever Hinge Pin Oil Wick.
82272	Knife (movable) Lever with 109927(869).	139026	Machine Frame Rotary Shaft Ball Bearing.
82273-001	Knife (movable) Lever 82272 with 82268-001 82271, 132583 and 164035.	140050(803)	Knife (movable) Clamp Screw.
82274	Knife (movable) Lever Cover and Presser Bar (upright) Housing with 460(830).	140077(819)	Gathering Device Indicator Plate Screw.
82277	Knife (movable) Lever Cover and Presser Bar (upright) Housing complete. Nos. 50060(810), 82259, 82274, 82281, 90435, 93929, 164137, 164139, 164142, 164143, 164194, 164416 and two 50318.	140082(805)	Oil Reservoir Sump Screen Cover Screw.
82281	Thread Eyelet (needle thread).	140088(805)	Knife (stationary) and Needle Guard Holder Sleeve Screw.
82295	Looper (right hand) Driving Lever Complete Nos. 1700(809), 93590 and 109795.	140088(813)	Machine Frame Oil Lead Screw.
82296	Machine Frame (not illustrated).	140159(830)	Looper (left hand) Driving Shaft Crank Connection Cap (upper) Screw.
82297	Machine Frame Oil Lead.	140159(830)	Looper (right hand) Driving Shaft Crank Connection Cap (upper) Screw.
82298	Machine Frame Oil Splash Guard (internal) complete, Nos.165156 and 165157.	140180(809)	Gathering Plate (swing-up) Lifter Lever Screw.
82299	Machine Frame Oil Splash Guard (top).	140185(819)	Gathering Device Lever and Indicator Hinge Screw.
82301	Machine Frame Rotary Shaft.	140346(830)	Machine Frame Oil Lead Plug Bracket Set Screw.
82303	Machine Frame Rotary Shaft 82301 with 82306, 93515, 93531, 93534, 93535, 165245 and two 164232.	140393(830)	Looper (left hand) Carrier Holder Set Screw (right) (not illustrated).
82306	Machine Frame Rotary Shaft Key.	140394(805)	Looper (left hand) Driving Shaft Bushing (back) Cap Screw.
82310	Needle Driving Shaft Bushing.	140394(805)	Looper (right hand) Driving Shaft Bushing (back) Cap Screw.
82311	Needle Driving Shaft Bushing Cap.	140395(805)	Machine Frame Bracket Screw (small).
82329	Oil Cooler with 50504(830), 81228 and two 164125.	140396(805)	Machine Frame Bracket Screw (large).
82330	Presser Bar (swing-out).	140416(819)	Machine Pulley Cap Screw.
82333	Thread (looper) Plate complete, Nos.1423(809), 1443(809), 1607(809), 50318(818), 164163, 164165, 164166, 164167, 164173, 164206, 164449, two each 332(809) and 164171.	140509(809)	Chip Guard Screw (upper).

<u>Part No.</u>	<u>Description</u>	<u>Part No.</u>	<u>Description</u>
140510(803)	Presser Bar (swing-out) Pivot Screw.	164155	Tension (heavy) Regulating Thumb Nut.
140596(830)	Looper (left hand) Carrier Holder Set Screw (left).	164155	Tension (light) Regulating Thumb Nut.
140596(830)	Looper (right hand) Driving Lever Set Screw.	164156	Tension (heavy) Screw Stud 50133(803) and 164155.
140596(830)	Needle Driving Shaft Crank Set Screw.	164156	Tension (light) Screw Stud 50133(803) and 164155.
140764(819)	Gathering Device Lever and Indicator Guide Plate Screw.	164157	Tension (light) Spring.
140788(803)	Knife (stationary) Clamping Gib Screw.	164158	Tension (heavy) Spring Cover.
164002	Cloth Plate Extension.	164158	Tension (light) Spring Cover.
164003	Feed Bar Hinge Pin (eccentric).	164159	Tension (light) Spring Cover.
164004	Feed Bar Slide Block (back).	164160	Tension (needle thread) Thread Guide.
164006	Feed (front) Bar with 164010.	164161	Tension (light) complete, Nos.59537, 164157, 164158 and two 2102.
164007	Feed (back) Bar Connection.	164162	Tension (heavy) Spring.
164008	Feed (back) Bar Connection Bearing.	164162	Tension (heavy) complete, Nos.59537, 164156, 164158, 164161 and two 2102.
164009	Feed (back) Bar Connection Hinge Screw Stud.	164163	Thread (looper, right hand) Stripper and Take-up Eyelet (adjustable).
164010	Feed (back) Bar Connection Hinge Screw Stud Position Pin (not illustrated).	164163	Thread (looper, right hand) Thread Eyelet (stationary).
164010	Feed (front) Dog Controlling Lever Connection Hinge Screw Nut Pin (not illustrated).	164165	Thread (looper, right hand) Tube.
164012	Feed (back) Dog Section (right) 7 teeth (20 teeth to the inch).	164166	Thread (looper) Plate with 624(830).
164023	Feed Eccentric Oil Wick (not illustrated).	164167	Thread (looper) Plate Cover.
164027	Knife (movable) Clamp.	164168	Thread (looper) Plate Cover Hinge.
164028	Knife (movable) Guard (lower).	164169	Thread (looper) Plate Cover Hinge Pin.
164029-003	Knife (movable) Holder.	164170	Thread (looper) Plate Cover Spring.
164030	Knife (movable) Holder Screw Bearing.	164171	Thread (looper) Plate Thread Bushing.
164034	Knife (movable) Lever Hinge Stud.	164173	Thread (looper) Take-up (left).
164035	Knife (movable) Lever Hinge Stud 164034 with 164036 and 164269.	164175	Thread (looper) Take-up Plate.
164036	Knife (movable) Lever Hinge Stud Oil Wick (long).	164176	Knife (movable) Lever Guide Holder Thread Tube.
164042	Knife (stationary) and Needle Guard Holder Sleeve.	164182	Pressure Regulating Thumb Nut.
164043	Knife (stationary) and Needle Guard Holder Spring.	164194	Looper (left hand) Stop Pin.
164046	Looper (left hand) Carrier with 460(830) 50379(806) and 164202.	164202	Cloth Plate Lock Spring.
164048	Looper (left hand) Driving Shaft.	164205	Thread (looper) Plate Cover 164168 with 164169 and 164170.
164049	Looper (left hand) Driving Shaft Bushing (back).	164206	Machine Frame Bracket Key.
164049	Looper (right hand) Driving Shaft Bushing (back).	164207	Looper (right hand) Position Collar with 904(830).
164051	Looper (left hand) Driving Shaft Crank with 1083(803).	164219	Machine Pulley with two 448(830).
164053	Looper (left hand) Driving Shaft Crank Thrust Bearing.	164231	Machine Frame Rotary Shaft Ball Sleeve Guide.
164053	Looper (right hand) Driving Shaft Crank Thrust Bearing.	164232	Knife (movable) Lever Hinge Stud Oil Wick (short) (not illustrated).
164063	Looper (right hand) Driving Shaft.	164269	Tension (looper thread) Thread Guide (left).
164066	Looper (right hand) Driving Shaft Crank with 1083(803).	164285	Tension (looper thread) Thread Guide (right).
164067	Looper (left hand) Driving Shaft Crank Key.	164286	Looper (left hand) Driving Shaft Bushing (back)
164067	Looper (right hand) Driving Shaft Crank Key.	164293	Cap Screw Washer.
164068	Looper (right hand) Locking Screw Stud.	164293	Looper (right hand) Driving Shaft Bushing (back)
164071	Machine Pulley Cap.	164351	Cap Screw Washer.
164077	Machine Frame Bracket Screw (large) Washer (fibre).	164401	Presser Bar (swing-out) Pivot Screw Locking Plate.
164082	Machine Frame Oil Lead Plug Bracket.	164416	Feed Eccentric Cover Latch Spring.
164091	Thread (looper, right hand) Stripper and Take-up with 164555.	164418	Presser Bar (upright) Spring (heavy).
164096	Machine Frame Rotary Shaft Counterbalance with 1036(830).	164418	Tension Thread Eyelet.
164098	Machine Frame Rotary Shaft Oil and Ball Bearing Grease Retainer.	164449	Thread (looper, right hand) Thread Eyelet (movable).
164099	Machine Frame Rotary Shaft Screw Stud.	164458	Knife (movable) Guard (upper).
164100	Machine Frame Rotary Shaft Thrust Bearing.	164462	Lint Stripper with 109935(830).
164101	Machine Frame Top Cover.	164520	Feed Eccentric Cover.
164102	Machine Frame Top Cover Gasket.	164525	Knife (stationary) and Needle Guard Holder Spring Stud.
164104	Cloth Plate Plunger.	164555	Thread (looper, right hand) Stripper and Take-up Guide Wire.
164105	Cloth Plate Plunger Spring.	164556	Knife (movable).
164106	Cloth Plate Position Collar with two 624(830).	164590	Knife (stationary) and Needle Guard Holder Adjusting Stud.
164114	Needle Driving Shaft Crank with 1083(803) and two 140596(830).	164660	Looper (left hand) Carrier Holder with 1083(803), 140393(830) and 140596(830).
164115	Needle Driving Shaft Crank Ball.	164661	Looper (left hand) Carrier Holder 164660 with 1324(803), 59456 and 164046.
164121	Oil Cooler Cover.	164664	Feed (front) Dog Controlling Lever Connection Bearing.
164122	Oil Cooler Cover Gasket.	164665	Feed (front) Dog Controlling Lever Connection Hinge Screw Stud.
164123	Oil Cooler Cover 164121 with 164155.	164686	Feed Bar Hinge Pin Collar with two 735(830).
164124	Oil Cooler Gasket.	164687	Feed (back) Bar with 164010.
164125	Oil Cooler Oil Pipe (outlet, left).	164690	Feed (front) Dog Controlling Lever.
164125	Oil Cooler Oil Pipe (outlet, right).	164691	Feed (front) Dog Controlling Lever Ball Joint.
164132	Machine Frame Oil Drip Sight Gauge Window Gasket.	164692	Feed (front) Dog Controlling Lever Ball Joint Position Plate (back).
164133	Machine Frame Oil Drip Sight Gauge Window.	164693	Feed (front) Dog Controlling Lever Ball Joint Position Plate (front).
164134	Machine Frame Oil Drip Sight Gauge Window Gasket Retainer.	164696	Feed (front) Dog Controlling Lever Connection.
164135	Oil Cup for filling machine.	164697	Feed (front) Dog Controlling Lever Connection Stud.
164137	Presser Bar Lifting Bracket with 462(830) 624(830) and 51846.	164698	Feed (front) Dog Controlling Lever Segment.
164139	Presser Bar Lifting Lever Spring.	164698	Feed (front) Dog Controlling Lever Segment 164696 with 164700 and two 50388(830).
164141	Presser Bar (swing-out) Lifting Screw Stud.	164699	Feed (front) Dog Controlling Lever Segment 164697 with 1454(806), 164701, 164702 and 164703.
164142	Presser Bar (swing-out) Opening Lever.	164700	Feed (front) Dog Controlling Lever Segment Bracket 164699 with 1700(819) and 164695.
164143	Presser Bar (upright).	164701	Feed (front) Dog Controlling Lever Segment Guide (not illustrated).
164144	Presser Bar (upright) Spring (not illustrated).	164702	Feed (front) Dog Controlling Lever Segment Guide Adjusting Cam.
164146	Presser Foot Chaining-off Finger.	164703	Feed (front) Dog Controlling Lever Segment Guide Adjusting Cam Roller.
164147	Presser Foot Clamping Plate.		

<u>Part No.</u>	<u>Description</u>
164704-002	Feed Eccentric Cover Bracket.
164705-002	Feed Eccentric Cover Bracket 164704-002 with 164023.
164707	Gathering Device Indicator Plate.
164708	Gathering Device Lever and Indicator.
164710	Gathering Device Lever and Indicator Guide Plate.
164711	Gathering Device Lever and Indicator Spring.
164712	Gathering Device Lever and Indicator Stop (lower).
164713	Gathering Device Lever and Indicator Stop (upper).
164717	Machine Frame Cover (back).
16471F-002	Machine Frame Cover (back) 164717 with 1637(810), and 109898(803) (not illustrated).
164728	Knife (stationary).
164744	Knife (stationary) Clamping Gib.
164745	Knife (stationary) and Needle Guard Holder Body with two 50611(803).
164856	Gathering Device Lever and Indicator 164708 with 164691, 164692, 164693, two 190(819) and 66707.
164866	Feed (back) Dog Section (left).
164867	Feed (back) Dog complete, Nos.1100(830), 164012 and 164866.
164871	Gathering Plate (swing-up).
164872	Gathering Plate (swing-up) Holder.
164873	Gathering Plate (swing-up) Holder Housing with 50292(803).
164874	Gathering Plate (swing-up) Holder Housing Support.
164875	Gathering Plate (swing-up) Holder Housing Support Joint.
164876	Gathering Plate (swing-up) Lifter.
164877	Gathering Plate (swing-up) Tension Spring (not illustrated).
164878	Gathering Plate (swing-up) Tension Spring Pressure Adjusting Head (hexagon).
164887	Presser Foot Body.
164888	Presser Foot complete, Nos.50225(809), 164146, 164147 and 164887.
165034	Gathering Plate (swing-up) Lifting Lever with 853(830).
165055	Looper (left hand) Thread Tube.
165058	Needle Guard.
165059	Needle Guard Holder.
165062	Knife (stationary) and Needle Guard Holder.
165063	Knife (stationary) and Needle Guard Holder (adjustable) complete, Nos.742(806), 164745 and 165062.
165064	Knife (stationary) and Needle Guard Holder (adjustable) with Gib complete, Nos.3146, 140788(803) 164744 and 165063.
165110	Feed (front) Dog, 3 teeth (12 teeth to the inch).
165134	Feed Bar Slide Block (front).
165149	Machine Frame Bracket.
165150	Machine Frame Bracket 165149 with 164207 and two 187(805).
165151	Machine Frame Bracket Oil Screen.
165152	Machine Frame Oil Screen.
165153	Machine Frame Oil Tube.
165154	Machine Frame Oil Tube Wick.
165156	Machine Frame Oil Splash Guard (internal) Oil Wick.
165157	Machine Frame Oil Splash Guard (internal) Oil Wick Fastener.
165160	Machine Frame Wearing Plate Spacer.
165170	Machine Frame Rotary Shaft Bushing (front).
165171	Machine Frame Rotary Shaft Bushing, (intermediate).
165173	Oil Reservoir with 165232.
165185	Machine Frame Oil Tube Nos.165153 and 165154.
165207	Feed (back) and (front) Bars with Controlling Lever complete, Nos.164006, 164007, 164008, 164009, 164664, 164665, 164687, 164690, 164694, 164698, 165134, two each 1671(803) and 164004.
165232	Oil Reservoir Oil Sight Gauge (lucite).
165237	Oil Reservoir Lint Guard (front).
165238	Machine Frame Rotary Shaft Ball Bearing Housing.
165239	Machine Frame Rotary Shaft Ball Bearing Housing Gasket.
165240	Machine Frame Rotary Shaft Bushing (intermediate) Oil Screen.
165245	Needle Driving Shaft Crank Connection with 164115, two each 157(830) and 171(830).
175032	Knife (stationary) and Needle Guard Holder Sleeve Screw Washer.
931084	Cloth Plate Extension Screw Nut Lock Washer.
931084	Cloth Plate Lock Spring Nut Lock Washer.